

## OPEN TYPE MOTOR

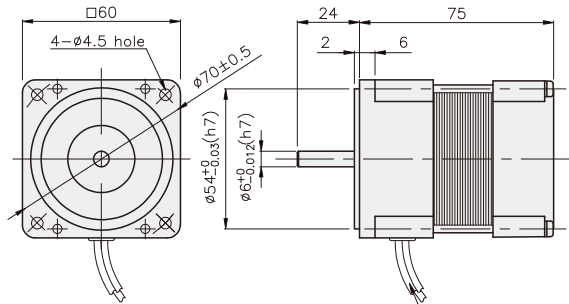
### 6W

### □60mm

### LEAD WIRE TYPE

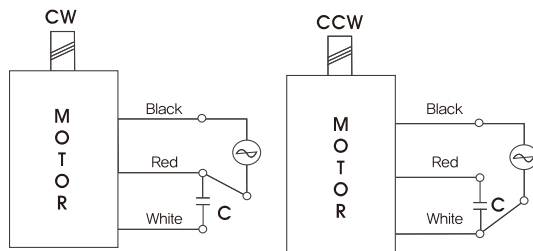
#### DIMENSIONS

K6I□6A□



MOTOR LEAD WIRE 300mm  
UL Style 3266 , AWG20

#### CONNECTION DIAGRAMS



※ The direction of motor rotation is as viewed from the front shaft end of the motor

#### SPECIFICATIONS

6W continuous rating, four poles

Model	Voltage (V)	Frequency (Hz)	Current (A)	Start T. (N·m/kgf·cm)	Rated T. (N·m/kgf·cm)	Speed (rpm)	Condenser (μF)
K6I□6AJ	100	50	0.25	0.04/0.4	0.049/0.49	1200	3
		60	0.23		0.04/0.4	1500	
K6I□6AU	110	60	0.18	0.035/0.35	0.04/0.4	1500	2
	115		0.19	0.04/0.4			
K6I□6AL	200	50	0.11	0.045/0.45	0.049/0.49	1200	0.8
		60			0.04/0.4	1500	
K6I□6AC	220	50	0.11	0.04/0.4	0.047/0.47	1250	0.6
		60	0.1	0.035/0.35	0.04/0.4	1500	
	230	50	0.12	0.045/0.45	0.047/0.47	1250	
		60	0.11	0.04/0.4	0.04/0.4	1500	
K6I□6AD	240	50	0.12	0.045/0.45	0.047/0.47	1250	0.5

Motor spec is same as induction motor's. Applied gear head is K6G□B(C) Series.  
Identify rated torque of gearhead in induction motor in order to find out the torque value of gearhead per gear ratios.

\* □ : SHAFT SHAPE (S : STRAIGHT, G : PINION)