

ICE MAKER MOTOR

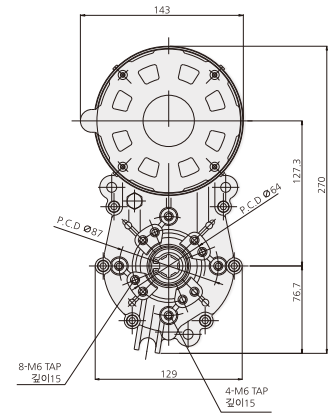
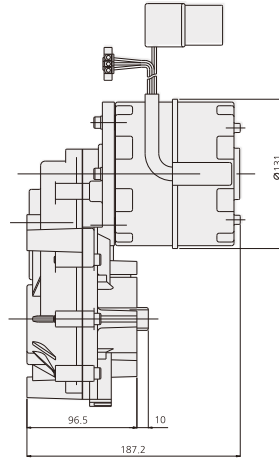
80W

Ø120mm

CONNECTOR TYPE

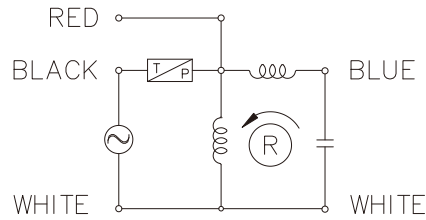
DIMENSIONS

K121P80N□ + KGO SERIES



WORM REDUCER / ICE MAKER MOTOR

CONNECTION DIAGRAMS



※viewed from the end shaft of motor

SPECIFICATIONS

80W continuous rating, four poles

Model		Voltage (V)	Frequency (Hz)	Current (A)	Start T. (N*m/kgf*cm)	Rated T. (N*m/kgf*cm)	Speed (rpm)	Condenser (μF)
K121P80NJ	single-phase	100	50	1.6	0.38/3.8	0.56/5.6	1400	25
			60			0.47/4.7	1670	
K121P80NC		220	50	0.8	0.38/3.8	0.56/5.6	1400	6
			60			0.47/4.7	1670	

AT Rated

FREQ(Hz)	50		60		50		60		50		60		50		60	
MODEL KGO 207C	RPM	Kg · m	RPM	Kg · m	RPM	Kg · m	RPM	Kg · m	RPM	Kg · m	RPM	Kg · m	RPM	Kg · m	RPM	Kg · m
1/207	6.8	8.0	8.1	8.0												