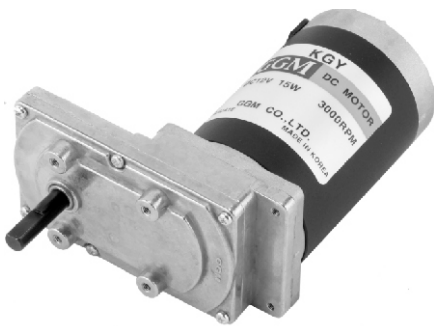


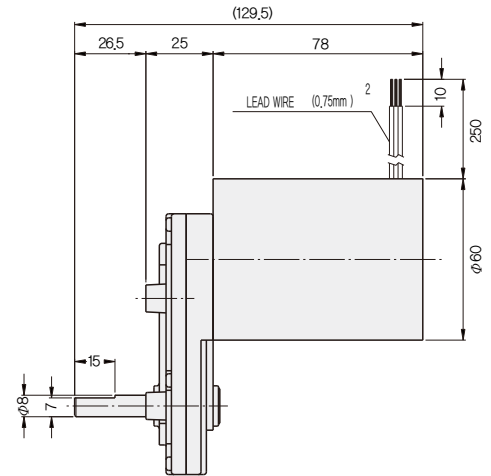
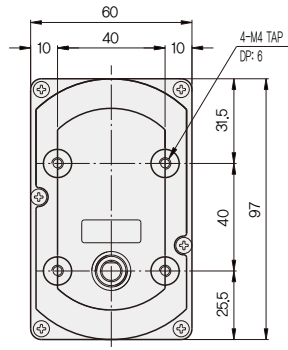
KGY-TYPE

DIMENSIONS

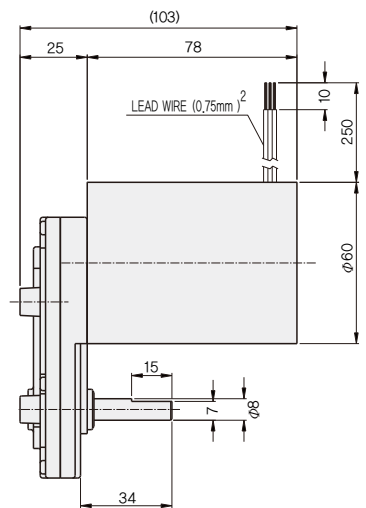
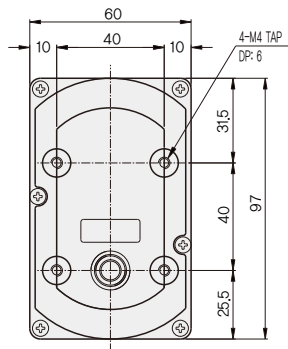
KGY SERIES (AC/DC 6W)



F TYPE



R TYPE



MOTOR PERFORMANCE DATA

MODEL	MOTOR		NO LOAD		AT MAX. EFF.			STALL	
	VOLTAGE	OUTPUT(W)	rpm	A	rpm	kgf-cm	A	kgf-cm	A
K6DG6N1	DC 12V	6	3580	0.7	3000	0.2	1.1	1.6	8
K6DG6N2	DC 24V	6	3400	0.4	3000	0.2	0.6	1.7	5
K6DG6N3	DC 90V	6	3175	0.07	3000	0.2	0.1	1.9	1
K6IG6NC	AC 220V 60Hz	6			1500	0.4	0.11		

* K6IG6NC는 AC 220V 60Hz INDUCTION MOTOR로서 자세한 DATA는 AC INDUCTION MOTOR CATALOG를 참조하세요.
* 표준은 F - TYPE 입니다.

KGY-TYPE

DIMENSIONS

AT MAXIMUM EFFICIENCY (KGY-□□□-K6D(I)G6N□)

GEAR \ MODEL	K6DG6N1		K6DG6N2		K6DG6N3		K6IG6NC	
	DC 12V-6W		DC 24V-6W		DC 90V-6W		AC 220V 60Hz-6W	
	rpm	kgf-cm	rpm	kgf-cm	rpm	kgf-cm	rpm	kgf-cm
1/008	375	0.9	375	0.9	375	0.9	187.5	2.3
1/011	272.7	1.3	272.7	1.3	272.7	1.3	136.4	3.2
1/015	200	1.7	200	1.7	200	1.7	100	4.4
1/021	142.8	2.4	142.8	2.4	142.8	2.4	71.4	6.1
1/027	111.1	3.1	111.1	3.1	111.1	3.1	55.6	7.9
1/031	96.8	3.6	96.8	3.6	96.8	3.6	48.4	9
1/036	83.3	4.2	83.3	4.2	83.3	4.2	41.7	10.5
1/043	69.8	5.0	69.8	5.0	69.8	5.0	34.9	12.5
1/047	63.8	5.5	63.8	5.5	63.8	5.5	31.9	13.7
1/055	54.5	6.4	54.5	6.4	54.5	6.4	27.3	16
1/060	50	7.0	50	7.0	50	7.0	25	17.5
1/075	40	8.7	40	8.7	40	8.7	20	20
1/086	34.9	10.0	34.9	10.0	34.9	10.0	17.4	20
1/100	30	11.7	30	11.7	30	11.7	15	20
1/115	26.1	13.4	26.1	13.4	26.1	13.4	13	20
1/130	23.1	15.2	23.1	15.2	23.1	15.2	11.5	20
1/145	20.7	16.9	20.7	16.9	20.7	16.9	10.3	20
1/165	18.2	19.2	18.2	19.2	18.2	19.2	9.1	20
1/200	15	20	15	20	15	20	7.5	20
1/250	12	20	12	20	12	20	6	20
1/275	10.9	20	10.9	20	10.9	20	5.5	20
1/300	10	20	10	20	10	20	5	20
1/360	8.3	20	8.3	20	8.3	20	4.2	20
1/450	6.7	20	6.7	20	6.7	20	3.3	20
1/550	5.5	20	5.5	20	5.5	20	2.7	20
1/590	5.1	20	5.1	20	5.1	20	2.5	20
1/680	4.4	20	4.4	20	4.4	20	2.2	20
1/740	4.1	20	4.1	20	4.1	20	2	20
1/825	3.6	20	3.6	20	3.6	20	1.8	20

- * 색상의 감속비는 MOTOR와 출력축의 회전방향이 같습니다.
- * 위의 DATA중 AC 220V 60Hz-6W MOTOR는 당사의 □60각 AC INDUCTION MOTOR를 적용한 경우입니다.
- * 표준은 F-TYPE 입니다.