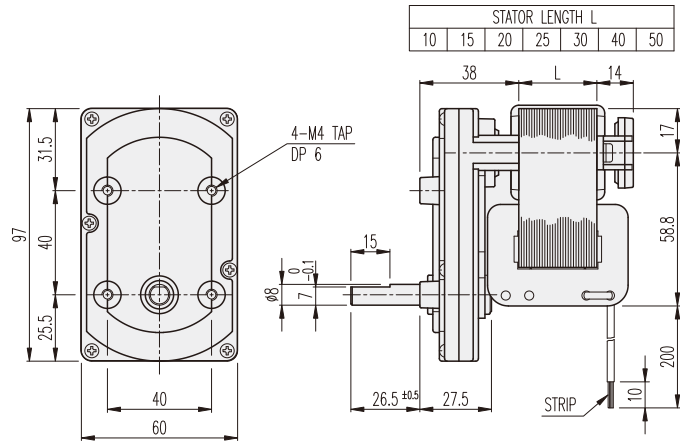
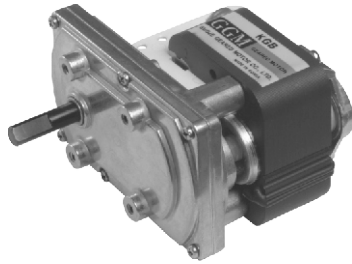


KGB-TYPE

DIMENSIONS

KGB SERIES



AT MAXIMUM EFFICIENCY (KGB-□□□-KA61□□AE)

GEAR RATIO	MOTOR		KA6120AE		KA6130AE				KA6140AE				KA6150AE					
			50		60		50		60		50		60		50		60	
	rpm	kgf-cm	rpm	kgf-cm	rpm	kgf-cm	rpm	kgf-cm	rpm	kgf-cm	rpm	kgf-cm	rpm	kgf-cm	rpm	kgf-cm	rpm	kgf-cm
1/010	240	0.6	290	0.5	240	1.2	290	0.8	240	1.4	290	1.1	240	1.9	290	1.4		
1/015	160	0.9	193.3	0.7	160	1.8	193.3	1.2	160	2	193.3	1.6	160	2.9	193.3	2.1		
1/021	114.3	1.2	138.1	1	114.3	2.6	138.1	1.7	114.3	2.8	138.1	2.2	114.3	4	138.1	2.9		
1/027	88.9	1.6	107.4	1.3	88.9	3.3	107.4	2.2	88.9	3.7	107.4	2.9	88.9	5.2	107.4	3.7		
1/036	66.7	2.1	80.6	1.7	66.7	4.4	80.6	3	66.7	4.9	80.6	3.8	66.7	6.9	80.6	4.9		
1/043	55.8	2.5	67.4	2	55.8	5.3	67.4	3.5	55.8	5.8	67.4	4.5	55.8	8.3	67.4	5.9		
1/047	51.1	2.7	61.7	2.2	51.1	5.8	61.7	3.9	51.1	6.4	61.7	5	51.1	9	61.7	6.4		
1/055	43.6	3.2	52.7	2.6	43.6	6.7	52.7	4.5	43.6	7.5	52.7	5.8	43.6	10.6	52.7	7.5		
1/060	40	3.5	48.3	2.8	40	7.3	48.3	4.9	40	8.1	48.3	6.3	40	11.5	48.3	8.2		
1/075	32	4.4	38.7	3.5	32	9.2	38.7	6.2	32	10.2	38.7	7.9	32	14.4	38.7	10.3		
1/086	27.9	5	33.7	4	27.9	10.5	33.7	7.1	27.9	11.7	33.7	9.1	27.9	16.6	33.7	11.8		
1/100	24	5.8	29	4.7	24	12.2	29	8.2	24	13.6	29	10.6	24	19.2	29	13.7		
1/115	20.9	6.7	25.2	5.4	20.9	14.1	25.2	9.5	20.9	15.6	25.2	12.2	20.9	20	25.2	15.8		
1/126	19	7.3	23	5.9	19	15.4	23	10.4	19	17.1	23	13.3	19	20	23	17.3		
1/131	18.3	7.6	22.1	6.1	18.3	16	22.1	10.8	18.3	17.8	22.1	13.8	18.3	20	22.1	18		
1/154	15.6	9	18.8	7.2	15.6	18.9	18.8	12.7	15.6	20	18.8	16.3	15.6	20	18.8	20		
1/172	14	10	16.9	8	14	20	16.9	14.2	14	20	16.9	18.2	14	20	16.9	20		
1/215	11.2	12.5	13.5	10	11.2	20	13.5	17.7	11.2	20	13.5	20	11.2	20	13.5	20		
1/300	8	15.7	9.7	12.6	8	20	9.7	20	8	20	9.7	20	8	20	9.7	20		
1/380	6.3	20	7.6	16	6.3	20	7.6	20	6.3	20	7.6	20	6.3	20	7.6	20		
1/408	5.9	20	7.1	17.1	5.9	20	7.1	20	5.9	20	7.1	20	5.9	20	7.1	20		
1/532	4.5	20	5.5	20	4.5	20	5.5	20	4.5	20	5.5	20	4.5	20	5.5	20		
1/673	3.6	20	4.3	20	3.6	20	4.3	20	3.6	20	4.3	20	3.6	20	4.3	20		
1/825	2.9	20	3.5	20	2.9	20	3.5	20	2.9	20	3.5	20	2.9	20	3.5	20		

* 위의 DATA는 GENERAL TYPE SHADED POLE MOTOR를 적용한 경우입니다.
 * 색상의 감속비는 MOTOR와 출력축의 회전방향이 같습니다.
 * 표준은 F-TYPE 입니다.