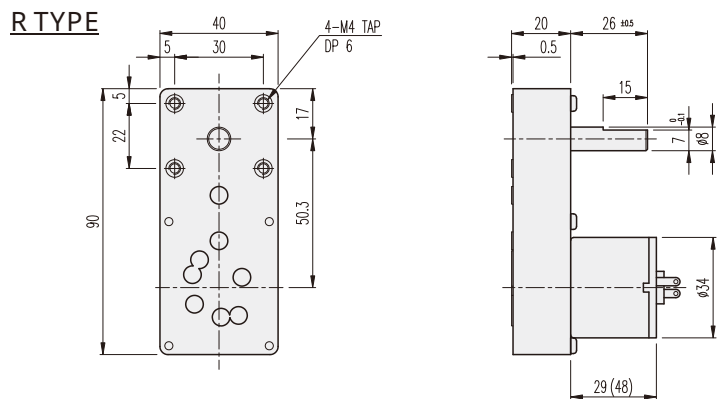
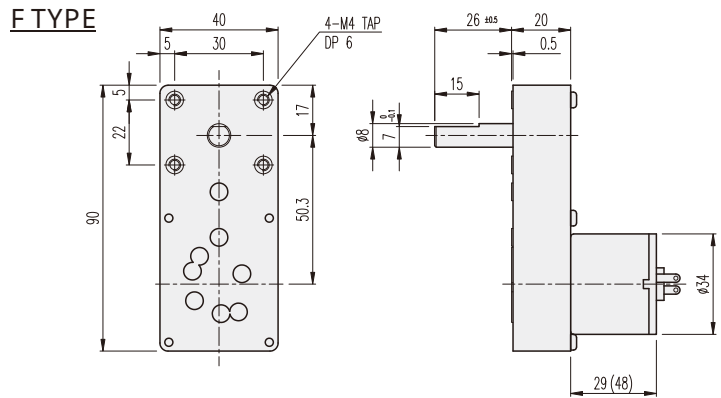
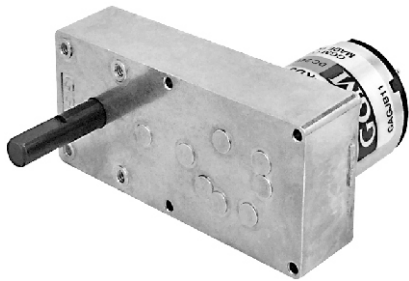


KGG-TYPE

DIMENSIONS

KGG SERIES



AT MAXIMUM EFFICIENCY (KGG-□□□-KD3429□□)

GEAR	MODEL		KD3429S1		KD3429S2		KD3429T1		KD3429T2		KD3429P1		KD3429P2	
			DC 12V		DC 24V		DC 12V		DC 24V		DC 12V		DC 24V	
	rpm	kgf-cm	rpm	kgf-cm	rpm	kgf-cm	rpm	kgf-cm	rpm	kgf-cm	rpm	kgf-cm	rpm	kgf-cm
1/078	57.7	2	57.7	2	83	2	83	2	102.5	4	102.5	2		
1/101	44.6	2.6	44.6	2.6	64.4	2.6	64.4	2.6	79.2	5.2	79.2	2.6		
1/227	19.8	5.4	19.8	5.4	28.6	5.4	28.6	5.4	35.2	6	35.2	5.4		
1/512	8.8	6	8.8	6	12.7	6	12.7	6	15.6	6	15.6	6		

AT MAXIMUM EFFICIENCY (KGG-□□□-KD3448□□)

GEAR	MODEL		KD3448S1		KD3448S2		KD3448T1		KD3448T2		KD3448P1		KD3448P2	
			DC 12V		DC 24V		DC 12V		DC 24V		DC 12V		DC 24V	
	rpm	kgf-cm	rpm	kgf-cm	rpm	kgf-cm	rpm	kgf-cm	rpm	kgf-cm	rpm	kgf-cm	rpm	kgf-cm
1/078	57.7	4	57.7	4	83	4	83	4	102.5	4	102.5	4		
1/101	44.6	5.2	44.6	5.2	64.4	5.2	64.4	5.2	79.2	5.2	79.2	5.2		
1/227	19.8	6	19.8	6	28.6	6	28.6	6	35.2	6	35.2	6		
1/512	8.8	6	8.8	6	12.7	6	12.7	6	15.6	6	15.6	6		

* 색상의 감속비는 MOTOR와 출력축의 회전방향이 같습니다.
* 표준은 F-TYPE 입니다.