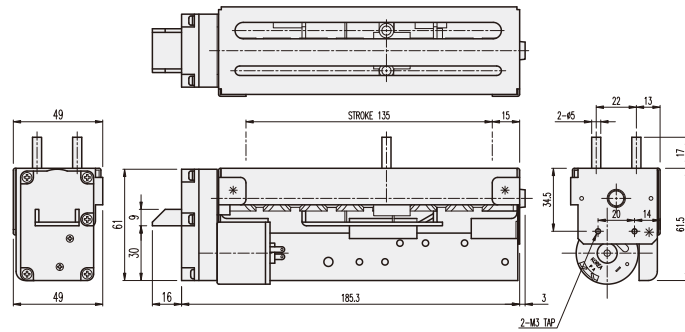
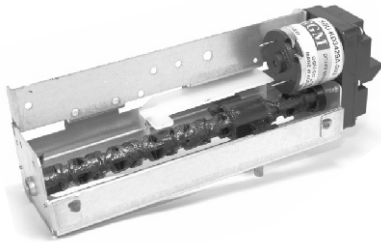


KGU-TYPE

DIMENSIONS

KGU SERIES

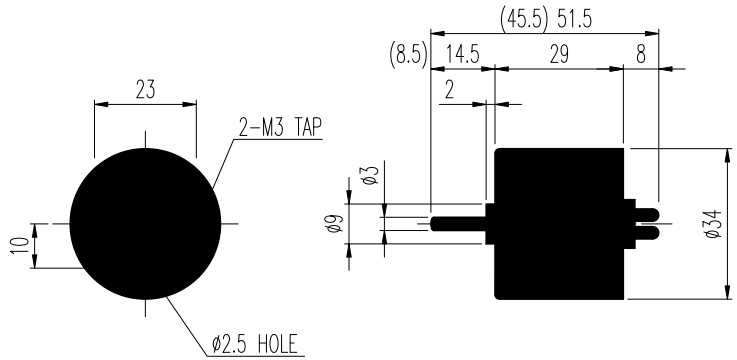


AT MAXIMUM EFFICIENCY (KGU-0035-KD3429□□)

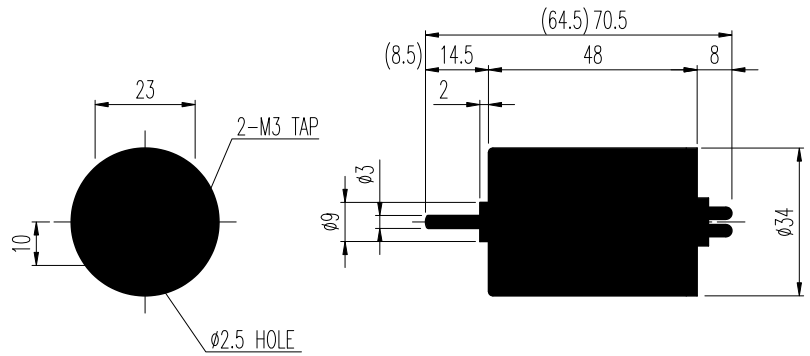
MODEL	PART	VOLTAGE (DC)	NO LOAD			AT MAX. EFF.				STALL		
			mA	rpm	L(mm)	CYCLE/min.	kgf-cm	mA	rpm	CYCLE/min.	kgf-cm	A
KD3429S1		12V	150	140	134	10	1	250	126	9	9.2	1.7
KD3429S2		24V	100	140	134	10	1	200	126	9	9.5	1
KD3429T1		12V	200	210	134	14	1	500	168	12	10.8	3.8
KD3429T2		24V	150	210	134	14	1	200	168	12	8.2	1.2
KD3429P1		12V	250	252	134	18	2	1000	210	15	8.5	3.8
KD3429P2		24V	180	252	134	18	1	300	210	15	9	2

GGM GGM GEARED MOTOR

KD3429□□ SERIES



KD3448□□ SERIES



ENCODER SERIES

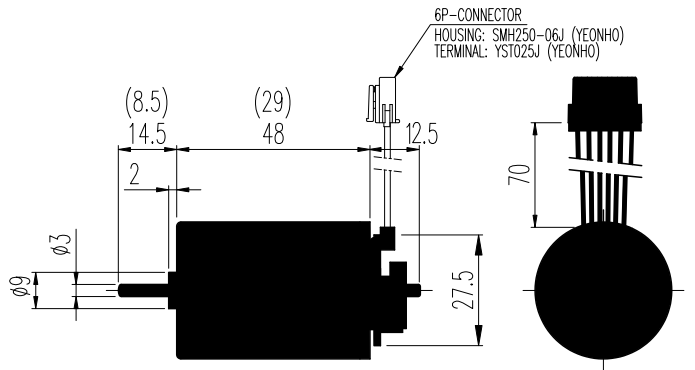
KD3429□□-E & 3448□□-E



6P-CONNECTOR 결선내용

1	DC MOTOR (+) 전원	전원 공급시
2	DC MOTOR (-) 전원	MOTOR CCW-회전
3	H/SENSOR (+) 전원	Vcc (+) DC5~24V
4	H/SENSOR (-) 전원	GROUND
5	H/SENSOR #1 OUT	OPEN COLLECTOR
6	H/SENSOR #1 OUT	MAX. DC24V -50mA

20극 10펄스 INCREMENTAL TYPE



PERFORMANCE DATA

12V	120	5200	40	0.3	4500	1.7	360	90
12V	150	7500	40	0.5	6500	3.8	420	
12V	200	9500	80	1	8000	3.8	330	
12V	150	5200	80	0.5	4500	3.2	830	140
12V	220	7500	80	0.7	6500	5	730	
12V	300	9000	80	0.8	8000	5.5	670	