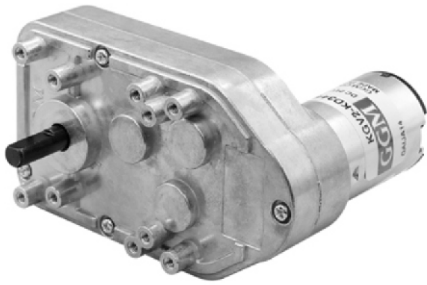


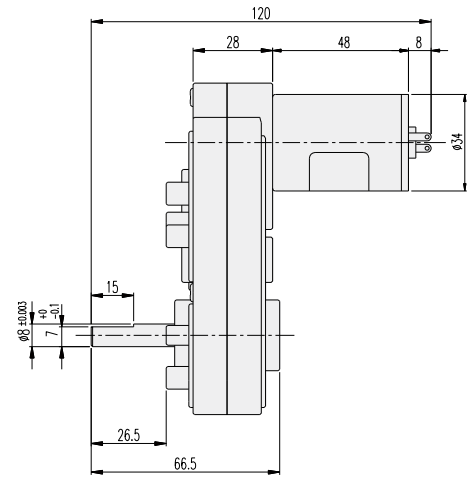
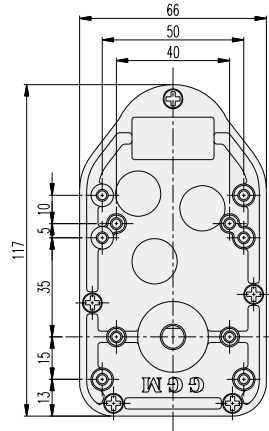
KG V2-TYPE

DIMENSIONS

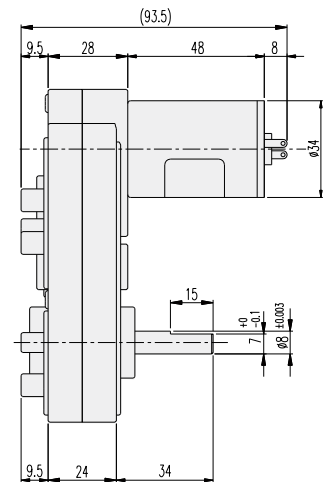
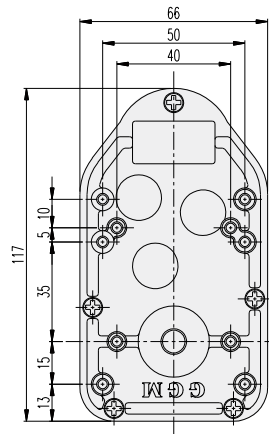
KG V2-3448 SERIES



F TYPE



R TYPE



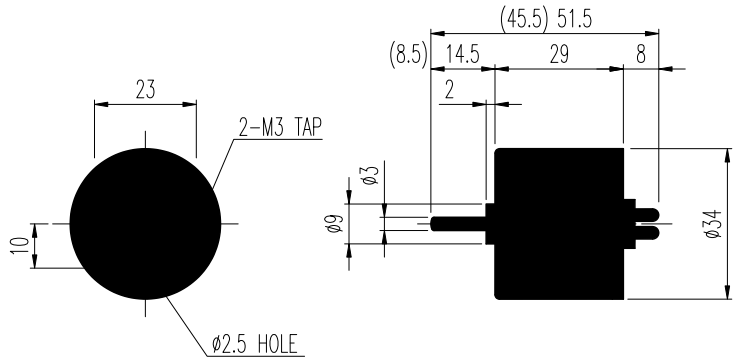
AT MAXIMUM EFFICIENCY

MODEL \ GEAR	KD3448S1		KD3448S2		KD3448T1		KD3448T2		KD3448P1		KD3448P2	
	rpm	kgf-cm	rpm	kgf-cm	rpm	kgf-cm	rpm	kgf-cm	rpm	kgf-cm	rpm	kgf-cm
1/0060	75	2.8	75	2.8	108.3	2.8	108.3	2.8	133.3	2.8	133.3	2.8
1/0070	64.2	3.2	64.2	3.2	92.8	3.2	92.8	3.2	114.2	3.2	114.2	3.2
1/0090	50	4	50	4	72.2	4	72.2	4	88.8	4	88.8	4
1/0105	42.8	4.8	42.8	4.8	62	4.8	62	4.8	76	4.8	76	4.8
1/0135	33.3	5.6	33.3	5.6	48	5.6	48	5.6	59.2	5.6	59.2	5.6
1/0200	22.5	8.4	22.5	8.4	32.5	8.4	32.5	8.4	40	8.4	40	8.4
1/0350	12.8	14.6	12.8	14.6	18.5	14.6	18.5	14.6	22.8	14.6	22.8	14.6
1/0500	9	20	9	20	13	20	13	20	16	20	16	20
1/0660	6.8	20	6.8	20	9.8	20	9.8	20	12	20	12	20

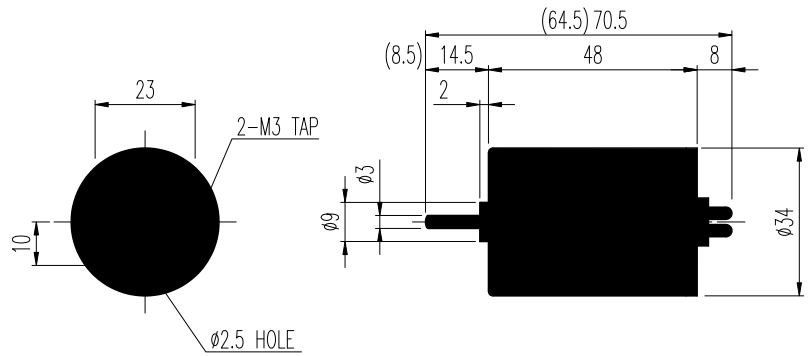
* 색상의 감속비는 MOTOR 와 출력축의 회전방향이 같습니다.

GGM GGM GEARED MOTOR

KD3429□□ SERIES



KD3448□□ SERIES



ENCODER SERIES

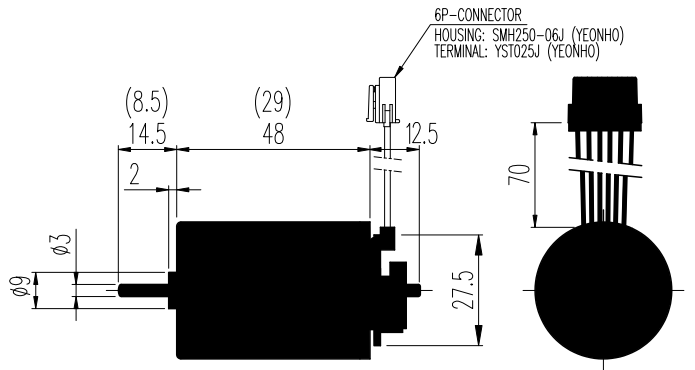
KD3429□□-E & 3448□□-E



6P-CONNECTOR 결선내용

1	DC MOTOR (+) 전원	전원 공급시
2	DC MOTOR (-) 전원	MOTOR CCW-회전
3	H/SENSOR (+) 전원	Vcc (+) DC5~24V
4	H/SENSOR (-) 전원	GROUND
5	H/SENSOR #1 OUT	OPEN COLLECTOR
6	H/SENSOR #1 OUT	MAX. DC24V -50mA

20극 10펄스 INCREMENTAL TYPE



PERFORMANCE DATA

12V	120	5200	40	0.3	4500	1.7	360	90
12V	150	7500	40	0.5	6500	3.8	420	
12V	200	9500	80	1	8000	3.8	330	
12V	150	5200	80	0.5	4500	3.2	830	140
12V	220	7500	80	0.7	6500	5	730	
12V	300	9000	80	0.8	8000	5.5	670	