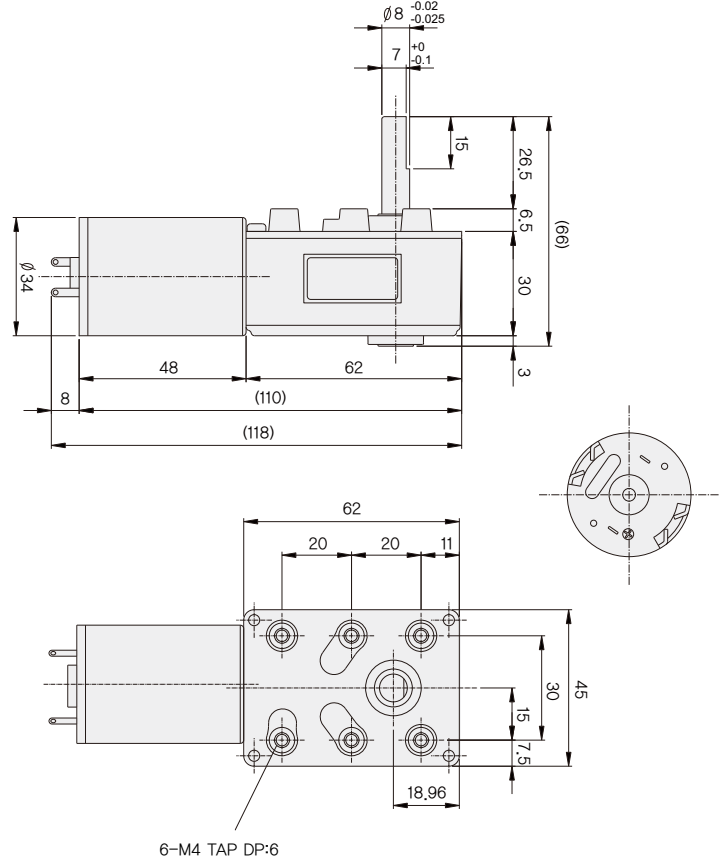


### DIMENSIONS

#### KWB-3448 SERIES



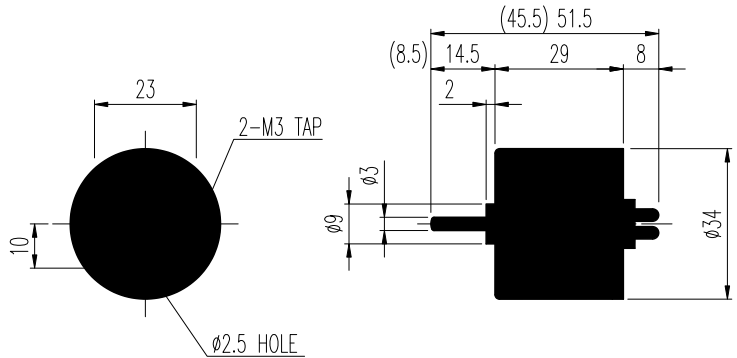
#### AT MAXIMUM EFFICIENCY

GEAR	MODEL	KD3448S1		KD3448S2		KD3448T1		KD3448T2		KD3448P1		KD3448P2	
		DC 12V		DC 24V		DC 12V		DC 24V		DC 12V		DC 24V	
		rpm	kgf-cm	rpm	kgf-cm	rpm	kgf-cm	rpm	kgf-cm	rpm	kgf-cm	rpm	kgf-cm
	1/0070	64	1	64	1	92.8	1	92.8	1	114	1	114	1
	1/0100	45	1.6	45	1.6	65	1.6	65	1.6	80	1.6	80	1.6
	1/0130	34.6	2	34.6	2	50	2	50	2	61.5	2	61.5	2
	1/0160	28	2.4	28	2.4	40.6	2.4	40.6	2.4	50	2.4	50	2.4
	1/0200	22.5	3.2	22.5	3.2	32.5	3.2	32.5	3.2	40	3.2	40	3.2
	1/0260	17.5	4	17.5	4	25.2	4	25.2	4	31	4	31	4
	1/0330	13.6	4.6	13.6	4.6	19.6	4.6	19.6	4.6	24.2	4.6	24.2	4.6
	1/0400	11.2	5.6	11.2	5.6	16.2	5.6	16.2	5.6	20	5.6	20	5.6
	1/0450	10	6.3	10	6.3	14.4	6.3	14.4	6.3	17.7	6.3	17.7	6.3
	1/0500	9	7	9	7	13	7	13	7	16	7	16	7
	1/0600	7.5	8.4	7.5	8.4	10.8	8.4	10.8	8.4	13.3	8.4	13.3	8.4
	1/0750	6	9.4	6	9.4	8.6	9.4	8.6	9.4	10.6	9.4	10.6	9.4
	1/0925	4.8	11.7	4.8	11.7	7	11.7	7	11.7	8.6	11.7	8.6	11.7
	1/1000	4.5	12.6	4.5	12.6	6.5	12.6	6.5	12.6	8	12.6	8	12.6
	1/1800	2.5	20	2.5	20	3.6	20	3.6	20	4.4	20	4.4	20

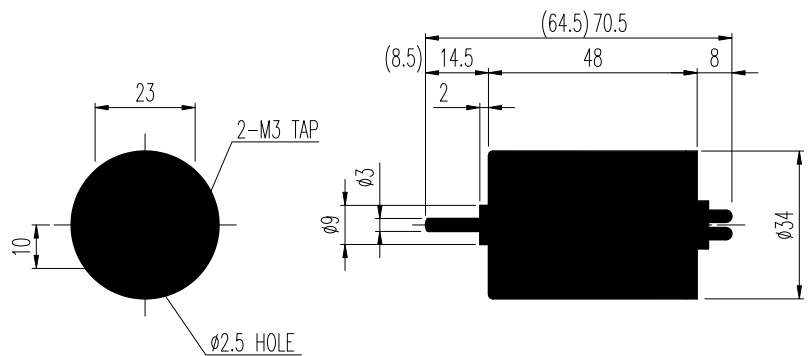
\*    색상의 감속비는 MOTOR와 출력축의 회전방향이 같습니다.  
 \* 표준은 F-TYPE 입니다.  
 \* R타입 가능 합니다.

# GGM GGM GEARED MOTOR

## KD3429□□ SERIES



## KD3448□□ SERIES



## ENCODER SERIES

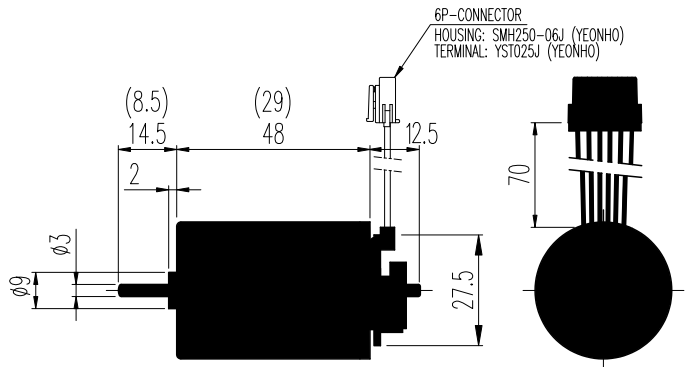
### KD3429□□-E & 3448□□-E



#### 6P-CONNECTOR 결선내용

1	DC MOTOR (+) 전원	전원 공급시
2	DC MOTOR (-) 전원	MOTOR CCW-회전
3	H/SENSOR (+) 전원	Vcc (+) DC5~24V
4	H/SENSOR (-) 전원	GROUND
5	H/SENSOR #1 OUT	OPEN COLLECTOR
6	H/SENSOR #1 OUT	MAX. DC24V -50mA

20극 10펄스 INCREMENTAL TYPE



## PERFORMANCE DATA

12V	120	5200	40	0.3	4500	1.7	360	90
12V	150	7500	40	0.5	6500	3.8	420	
12V	200	9500	80	1	8000	3.8	330	
12V	150	5200	80	0.5	4500	3.2	830	140
12V	220	7500	80	0.7	6500	5	730	
12V	300	9000	80	0.8	8000	5.5	670	