

## OPEN TYPE MOTOR

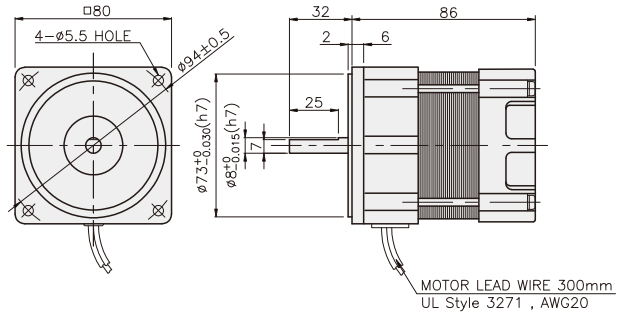
### 25W

### □80mm

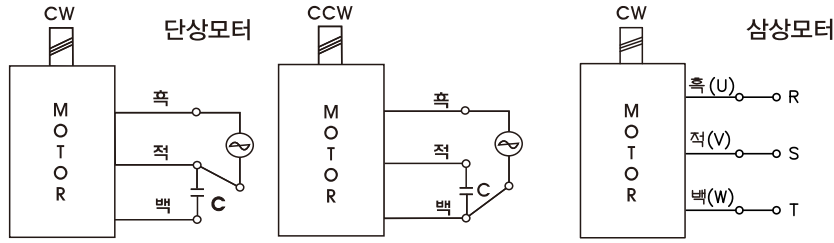
### LEAD WIRE TYPE

#### DIMENSIONS

K8I□25A□



#### CONNECTION DIAGRAMS



회전방향은 출력축에서 볼 경우

CCW는 U,V,W중 2선을 바꾸어 결선

#### SPECIFICATIONS

25W 연속정격, 4극

Model		Voltage (V)	Frequency (Hz)	Current (A)	Start T. (N·m/kgf·cm)	Rated T. (N·m/kgf·cm)	Speed (rpm)	Condenser (μF)
K8I□25AJ	단상	100	50	0.59	0.11	0.195/1.95	1250	7
			60	0.54	1.1	0.16/1.6	1550	
K8I□25AU		110	60	0.48	0.09/0.9	0.165	1500	5
				0.5	0.095/0.95	1.65		
K8I□25AL		200	50	0.26	0.115	0.195/1.95	1250	1.8
				0.28	1.15	0.16/1.6	1550	
K8I□25AC		220	50	0.28	0.11	0.195/1.95	1250	1.5
				0.25	1.1	0.16/1.6	1550	
			230	0.29	0.12	0.195/1.95	1250	
				0.26	1.2	0.16/1.6	1550	
K8I□25AD	240	50	0.3	0.11/1.1	0.195/1.95	1250	1.2	
K8I□25AT	200	50	0.27	0.5/5	0.19/1.9	1300	-	
			0.24	0.4/4	0.16/1.6	1550		
K8I□25AH	220	50	0.28	0.6/6	0.185/1.85	1350	-	
			0.24	0.48/4.8	0.155/1.55	1600		
		230	0.29	0.65/6.5	0.185/1.85	1350		
			0.25	0.52/5.2	0.155/1.55	1600		
K8I□25AM	380	50	0.17	0.6/6	0.19/1.9	1300	-	
			0.14	0.48/4.8	0.155/1.55	1600		
K8I□25AV	400	50	0.17	0.73/7.3	0.19/1.9	1300	-	
			0.15	0.6/6	0.155/1.55	1600		
K8I□25AQ	415	50	0.13	0.55/5.5	0.19/1.9	1300	-	
			0.11	0.4/4	0.155/1.55	1600		
K8I□25AZ	440	50	0.14	0.63/6.3	0.19/1.9	1300	-	
			0.12	0.5/5	0.155/1.55	1600		

\* 모터의 사양은 INDUCTION MOTOR와 동일합니다. 적용 GEARHEAD K6G□B(C) SERIES 입니다.

\* 적용 GEARHEAD 및 감속비별 출력 TORQUE 값을 알고 싶으시면 INDUCTION MOTOR의 RATED TORQUE OF GEARHEAD를 확인하십시오.

\* □ : SHAFT 형상 (S : STRAIGHT, G : PINION)